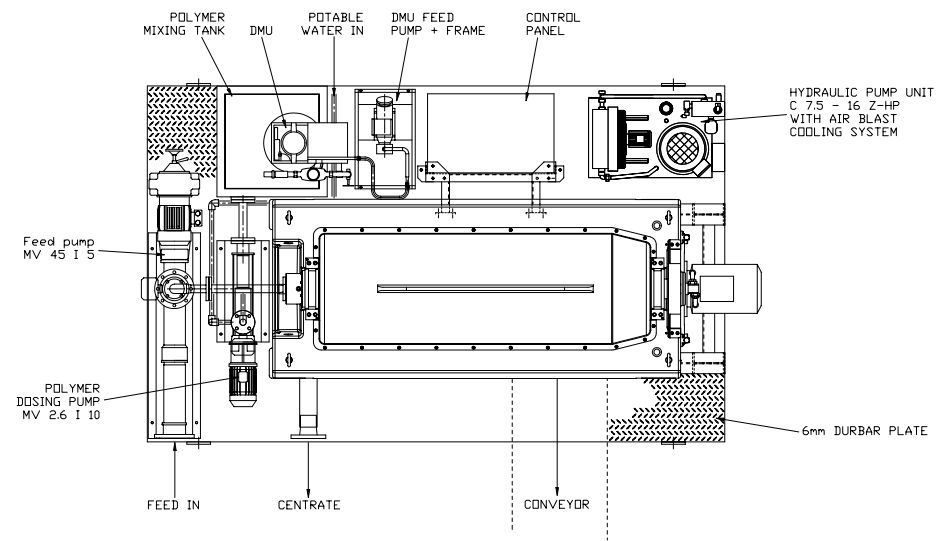
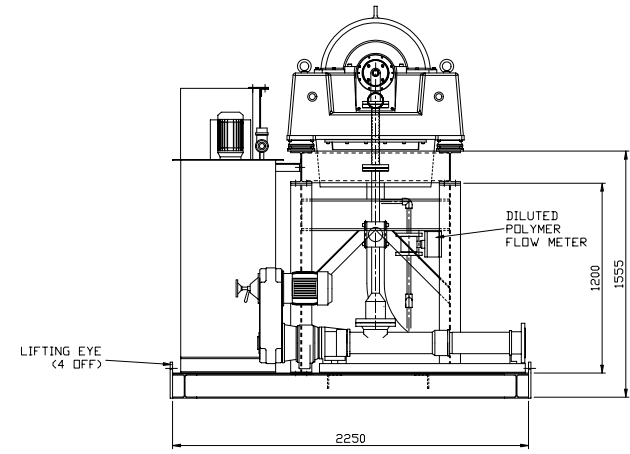
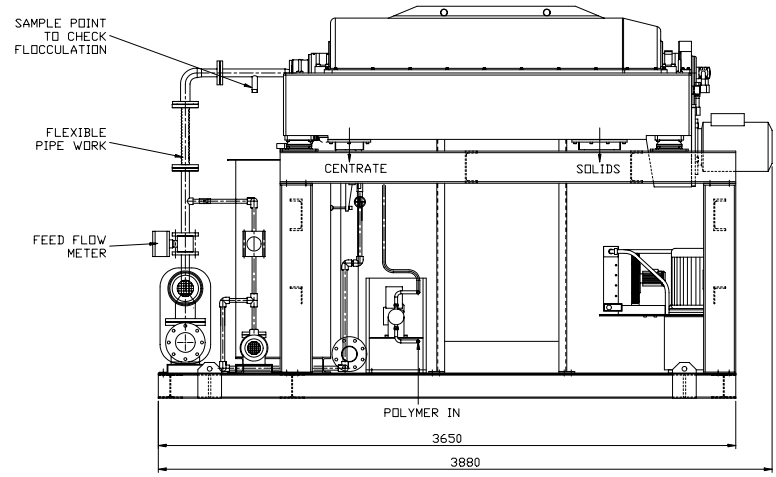


WELDS-SYMBOLIC REF. IN ACC. WITH ISO 2553 WHERE TOLERANCE IS NOT MENTIONED ACC. WITH ISO 2768 - 1/2 FINE MEDIUM COARSE VERY COARSE	SURFACE ROUGHNESS R_a μm	REVISION
	PROJECTION 3rd ANGLE	LETTER DATE



CENTRIQUIP Derby Road, Clay Cross, Derbyshire S45 9AF Telephone: +44 (0) 1246 252600 Fax: +44 (0) 1246 252601		
TITLE		
CHEMICAL RECOVERIES SKID PROPOSED SKID MOUNTED CQ4000		
DRAWN: SB	CHKD: RT	AUTOCAD SCALE: 1:1
DATE: 25/04/02	APPD:	SCALE (A2): 1:25
C02177/01B		SHEET NO: 1/1